

Engineering Bulletin

RF TECHNOLOGY Pty Ltd
PO BOX 328 Wahroonga NSW 2076
Australia
Ph : +61 2 9476 5929
Fax : +61 2 9476 4932

ECLIPSE
Engineering Bulletin
No: EB-0402

Product : Series 50 Receivers and Transmitters

Topic : Irregular Power Supply Reset

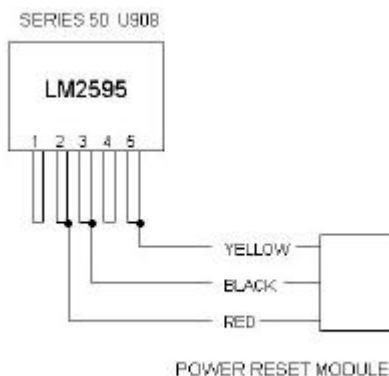
Date : 30th September 2004

Symptom: In some circumstances the front panel PWR LED does not light up when the power supply is switched on, especially when the SMPS28 is switched off and on in quick succession.

Eclipse Models affected: ONLY Series 50 Receiver and Transmitter.

Fix: A Power Reset Module (PRM) has been developed to ensure that the regulator U908 turns on reliably. The PRM is supplied ready made with a self adhesive tape backing and 3 fly leads which are Yellow, Red and Black in colour.

To install the PRM firstly remove DC power from the receiver or transmitter. Locate U908 LM2595 regulator near the bottom edge central mounting screw. Solder the coloured fly leads to the LM2595 as per diagram, remove the protective layer on the adhesive backing and press mount the PRM directly on to U908.



With the PRM installed the PWR LED should turn on and off reliably.

Guang Lou
Senior Engineer
Email: rftengineering@rftechnology.com.au