

ECLIPSE SOLID STATE ANTENNA SWITCH UNIT

These switching units are solid state versions of mechanical relays for antenna switching applications

TYPICAL PERFORMANCE - RATED TO 100 WATTS

Models: VHF 34-50 MHz, 66-88MHz, 136-174 MHz

Terminal:	Attenuation
Ant - Tx	<0.3 dB
Ant - Rx	<0.3 dB
Tx - Rx	>35dB

Models: UHF 400-520 MHz

Terminal:	Attenuation
Ant - Tx	<0.4 dB
Ant - Rx	<0.4 dB
Tx - Rx	>30dB



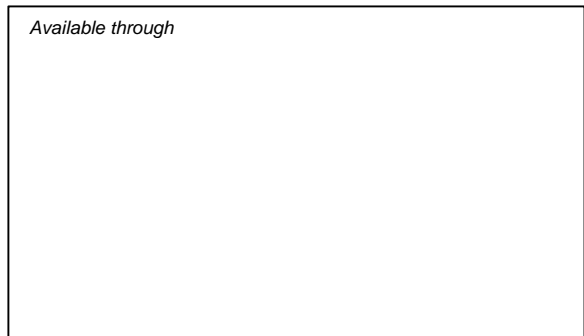
*We reserve the right to alter specifications or design without notice.
In any special critical application please consult with the manufacturer.*

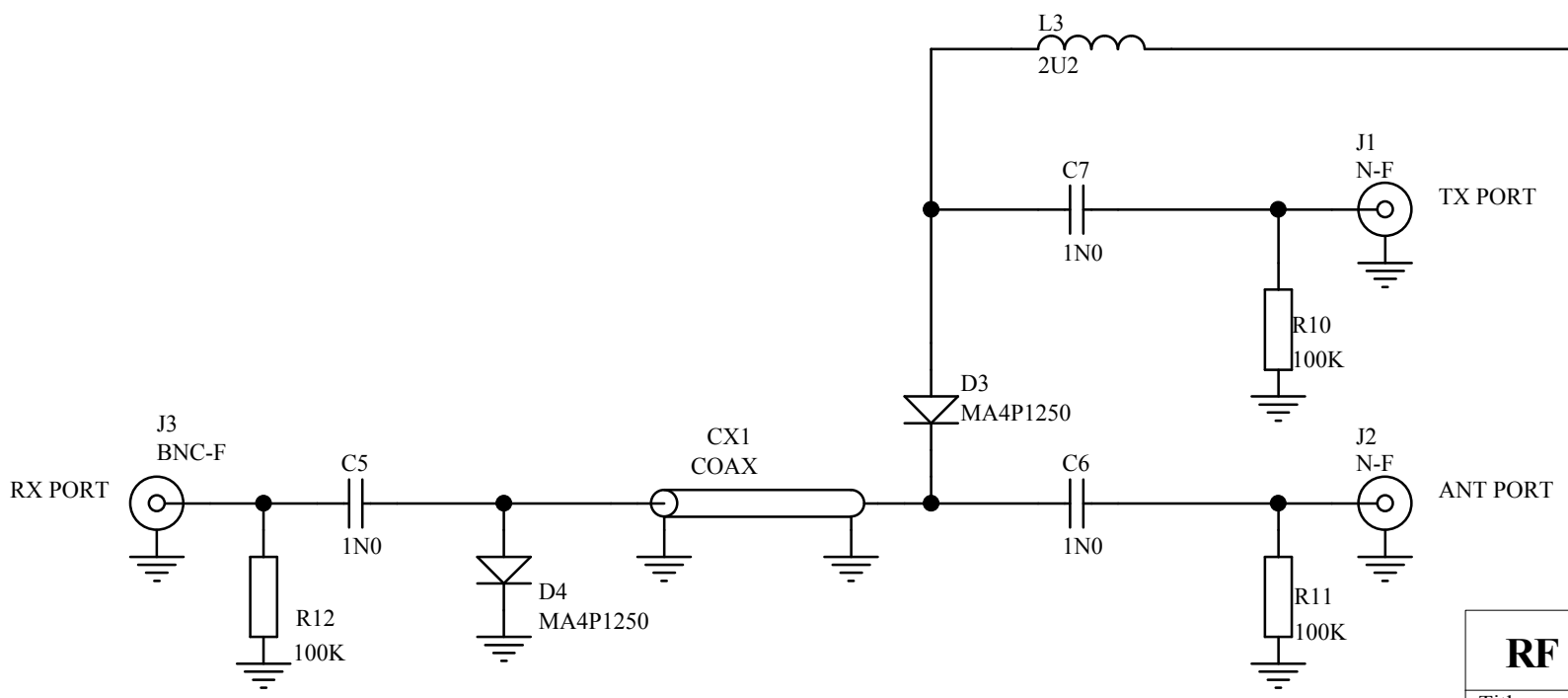
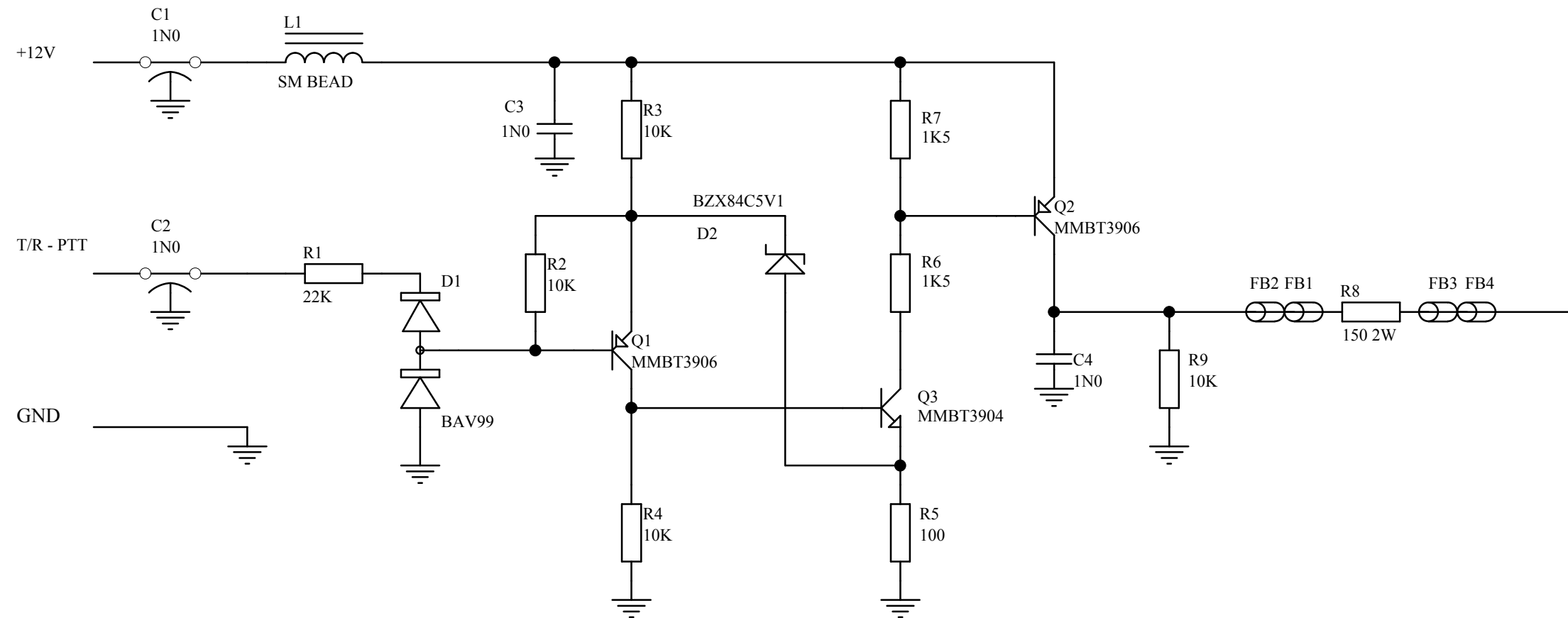
This publication is issued to provide an outline of specifications of the products shown. It is not to form an order or contract or be regarded as a representation of the product unless agreed to in writing by the company.

RF Technology Pty Ltd.

Unit 10, 8 Leighton Place, HORNSBY, NSW 2077 AUSTRALIA
PO Box 328, WAHROONGA, NSW 2076 AUSTRALIA
Telephone: (61-2) 9476 5929
Facsimile: (61-2) 9476 4932
Email: rfinfo@rfttechnology.com.au

Available through





MODEL	FREQ(MHz)
SSASU 50A	25 - 32
SSASU 50B	30 - 40
SSASU 50C	38 - 50
SSASU 70	66 - 88
SSASU 150	136 - 174
SSASU 220	215 - 240
SSASU 400	400 - 430
SSASU 450	450 - 520

RF TECHNOLOGY PTY LTD		
Title 100W T/R SWITCH		
Size Orcad A	Number 9134R7	Revision 2
Date:	25-Jul-2002	Sheet 1 of 1
File:	D:\Protel Files\Work Files\9134.ddb	Drawn By: G.H.LOU