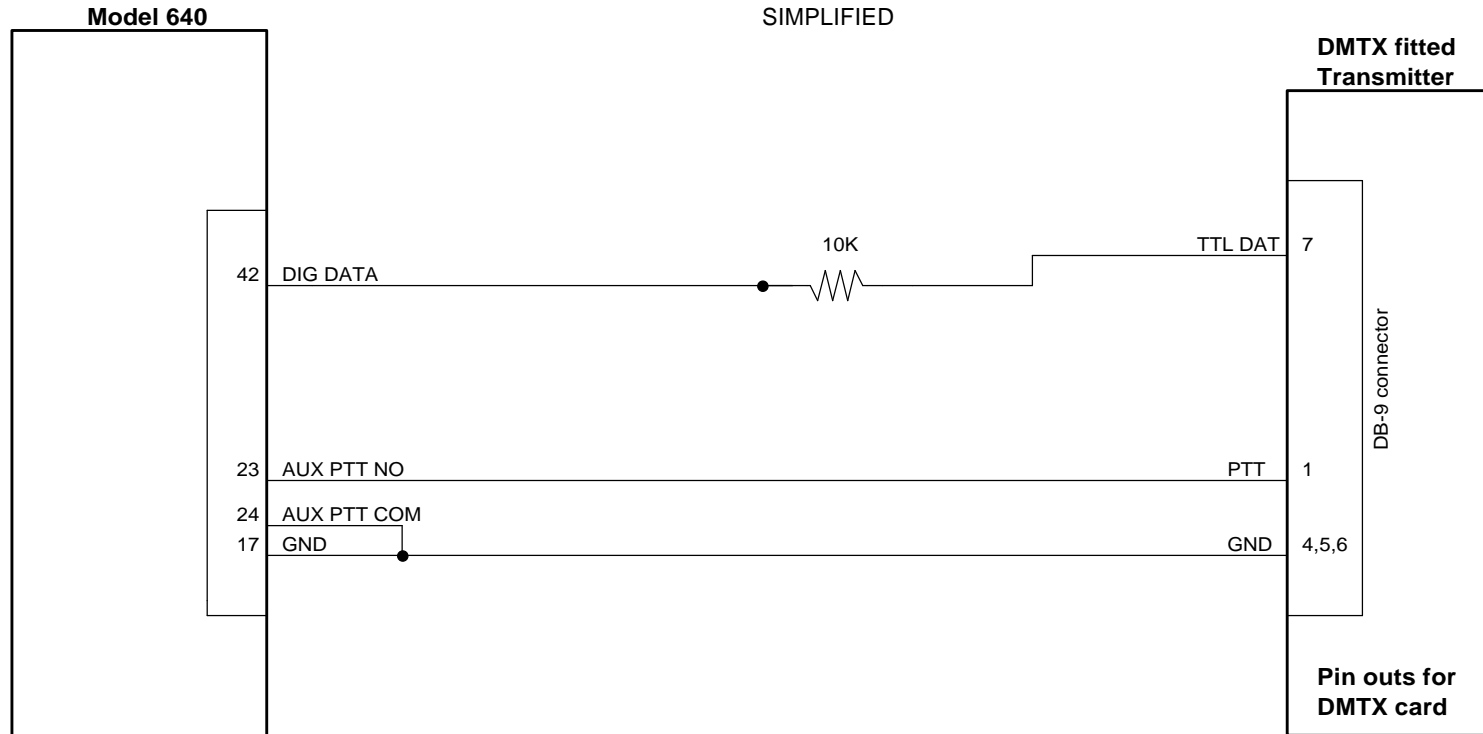


# ZETRON 640 PAGING TO ECLIPSE DMTX-TX



**NOTES**

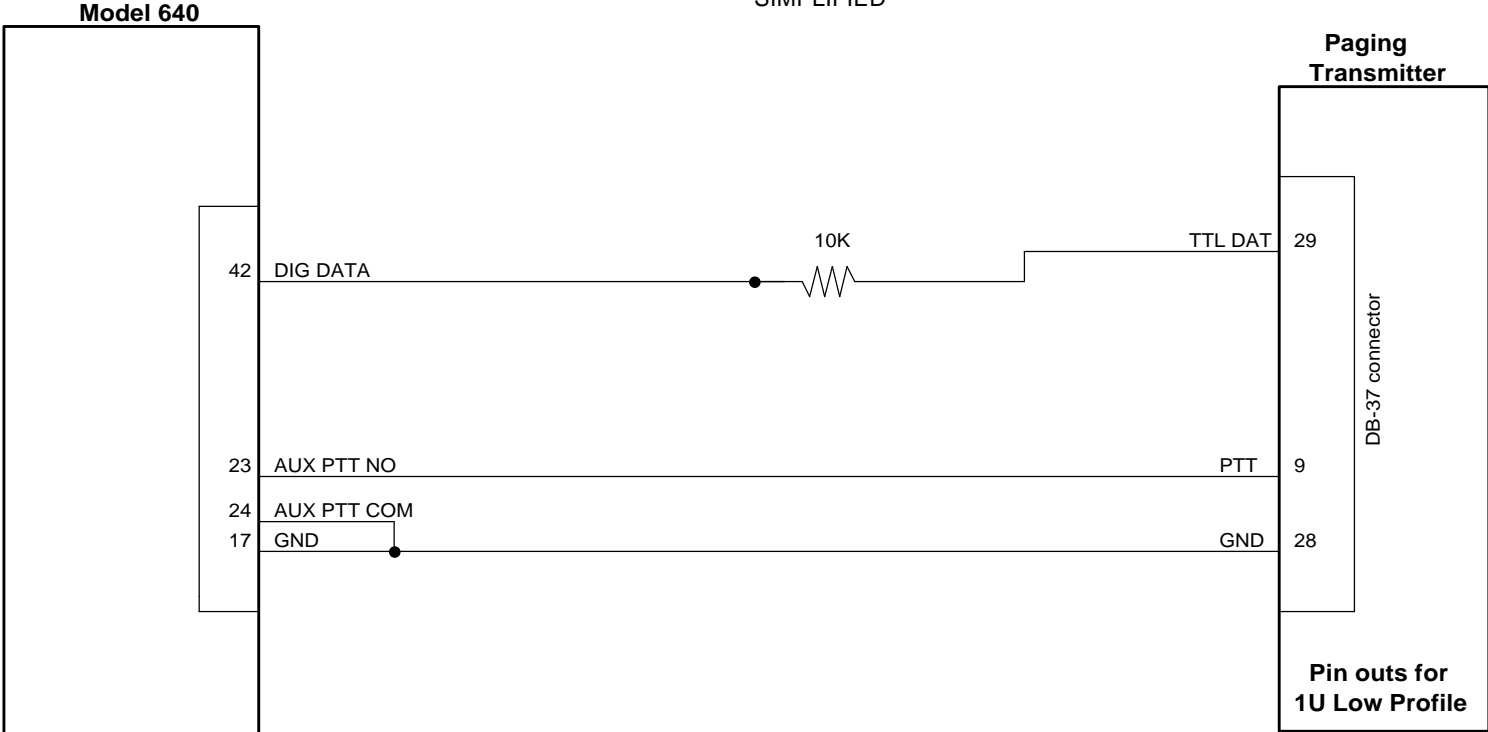
Model 640 Digital Data RS232 output requires conditioning to 0-5V TTL signal for TX Data input

AUX PTT COM connected to GND so that AUX PTT NO pulls low for PTT

Title Zetron 640 - Eclipse		
Author GL RFT		
File D:\1My Documents\Cad\ZETRON640-3.dsn		Document
Revision 1.0	Date 17 July 2007	Sheets 1 of 1

# ZETRON 640 PAGING TO ECLIPSE Low Profile TX

SIMPLIFIED



**NOTES**

Model 640 Digital Data RS232 output requires conditioning to 0-5V TTL signal for TX Data input  
 AUX PTT COM connected to GND so that AUX PTT NO pulls low for PTT

Title Zetron 640 - Eclipse		
Author GL RFT		
File D:\1My Documents\Cad\ZETRON640-2.dsn		Document
Revision 1.0	Date 17 July 2007	Sheets 1 of 1