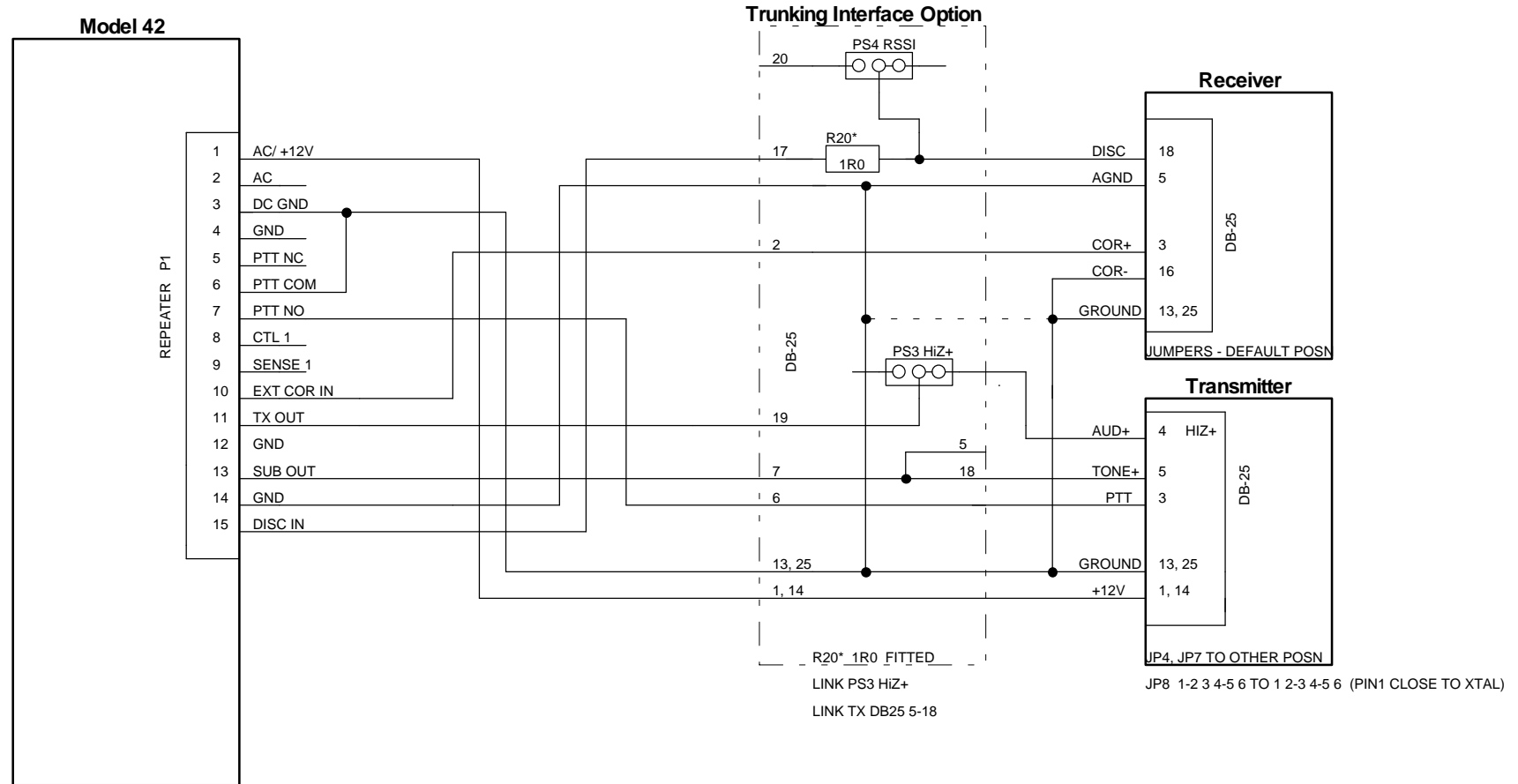


# ZETRON 42 LTR TO ECLIPSE REPEATER



## NOTES

- 1 CONTACT CLOSURE OF PTT LINE TO GROUND KEYS UP THE TRANSMITTER
- 2 TRANSMITTER AUDIO - SET FLAT RESPONSE
- 3 SUBAUDIBLE TRANSMIT DATA - LOW FREQ DPL DATA
- 4 EXTERNAL COR INPUT, RECEIVER CARRIER INDICATION, LOW=CARRIER
- 5 DISCRIMINATOR INPUT - SET FLAT RESPONSE

## ZETRON 42 LTR CONTOLLER

- CONNECT PTT COM TO GROUND  
 TX OUT  
 SUB OUT  
 EXT COR IN  
 DISC IN

## ECLIPSE

- TX: STANDARD  
 TX: SET JP4 AND JP7 TO NON STANDARD POSITION  
 TX: SET JP8 1-2 3 4-5 6 TO 1 2-3 4-5 6  
 RX: SELECT COR+ (ACTIVE LOW), AND GROUND COR-.  
 RX: STANDARD (LEVEL ADJUST BY RV1 IN I.F. SECTION)

Title Zetron 827 - Eclipse		
Author GL RFT		
File C:\MYDOCU~1\CAD\ZETRON42.DSN		Document
Revision 1.0	Date 08 September 2003	Sheets 1 of 1