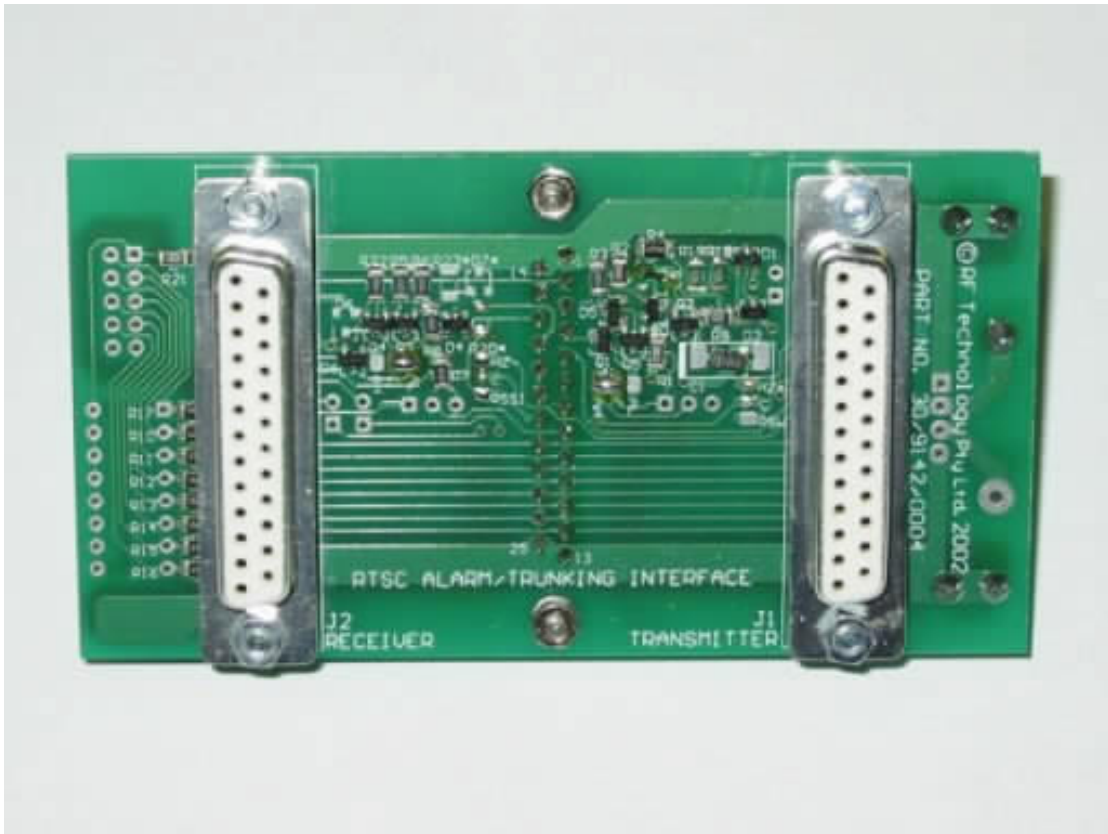
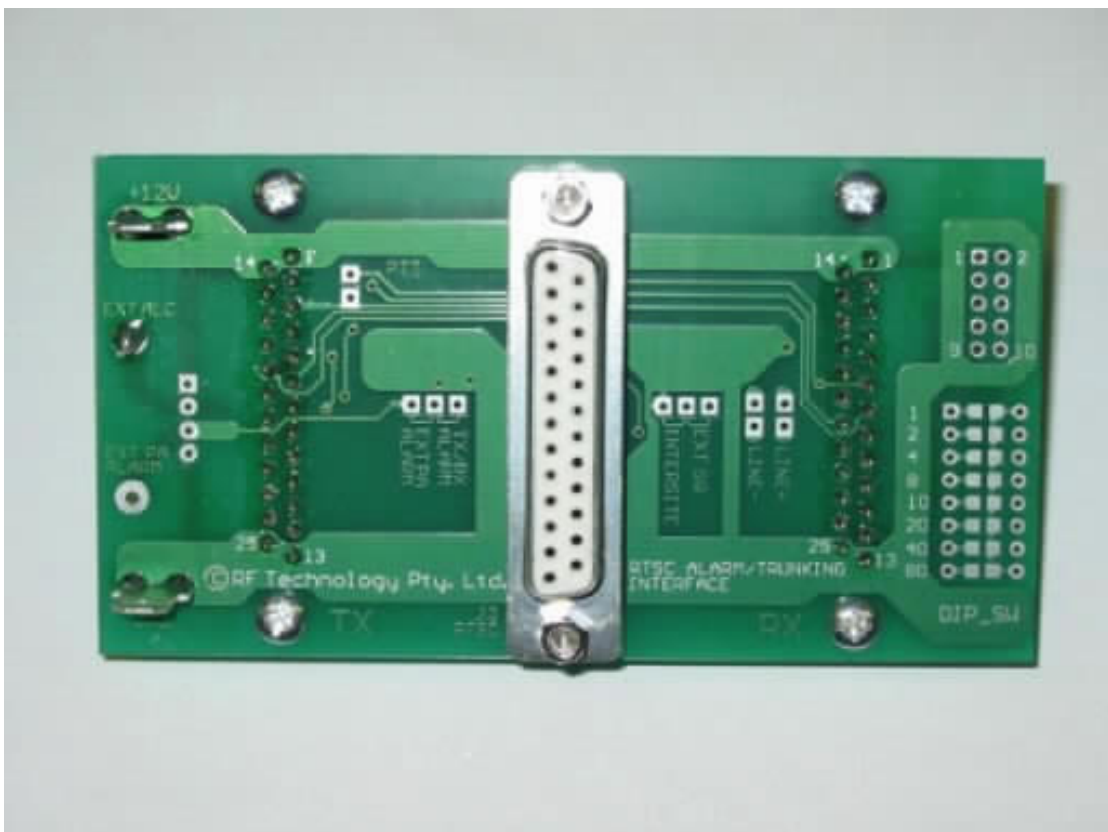


ATI Configuration for Zetron M42

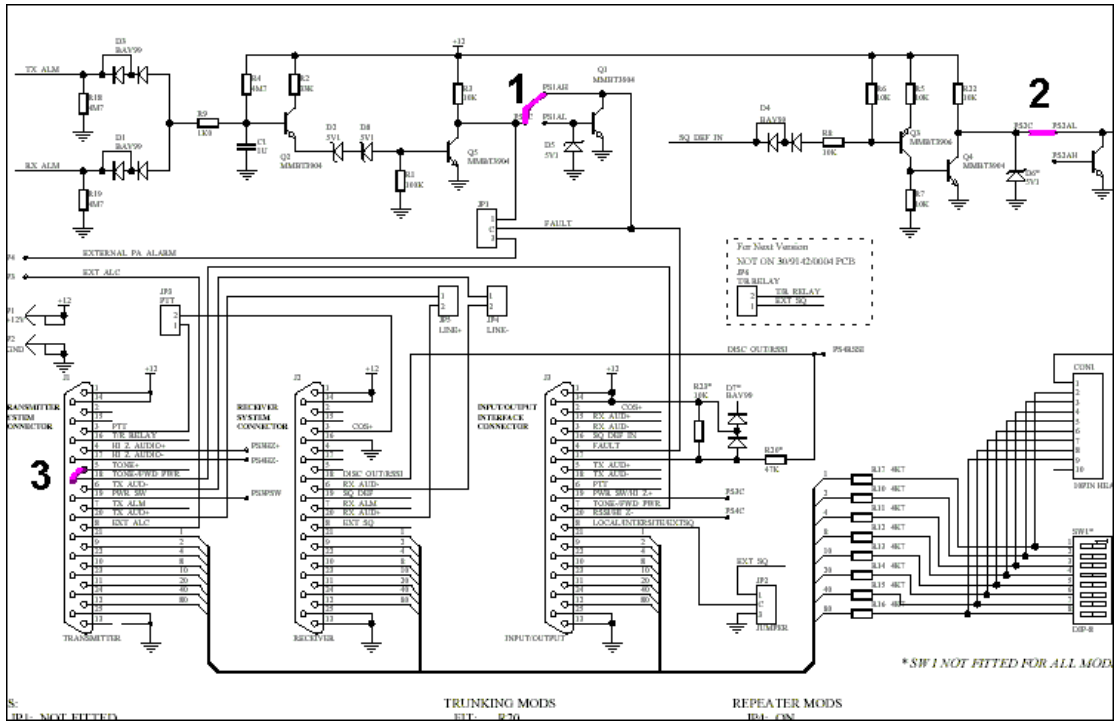
ARM TRUNKING INTERFACE



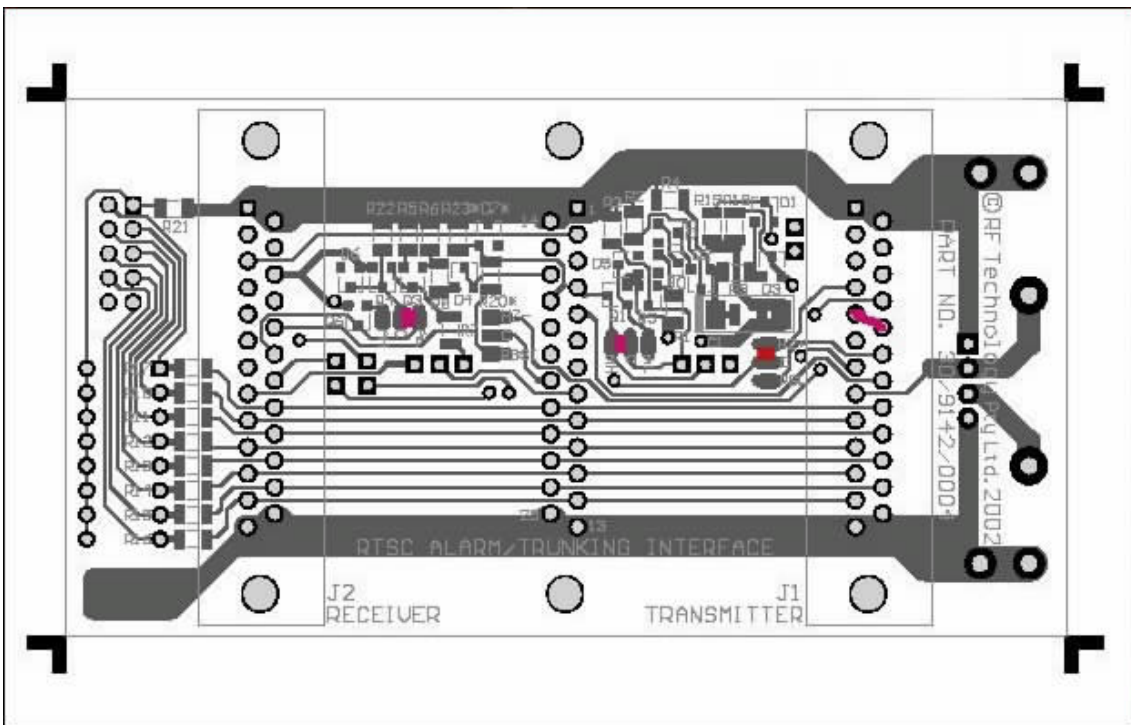
Front view



Rear view



STANDARD LINKS – COMBINED ALARMS CIRCUIT



STANDARD LINKS – with selection for Hi Z AND TONE INPUTS



ALARM TRUNKING INTERFACE with RX, TX and external PA



Full rack frame view